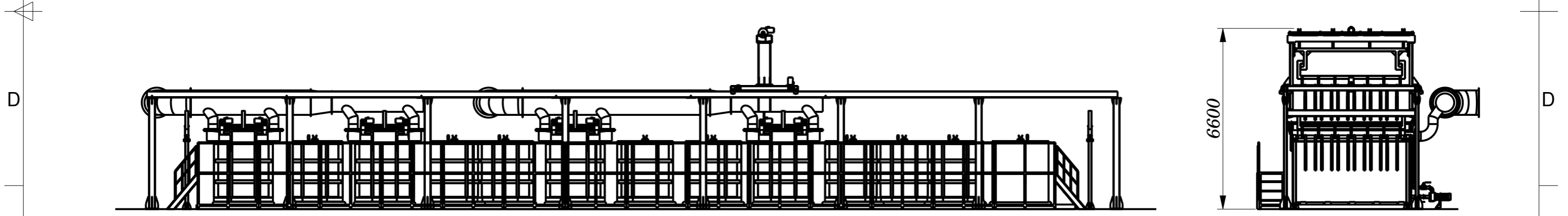
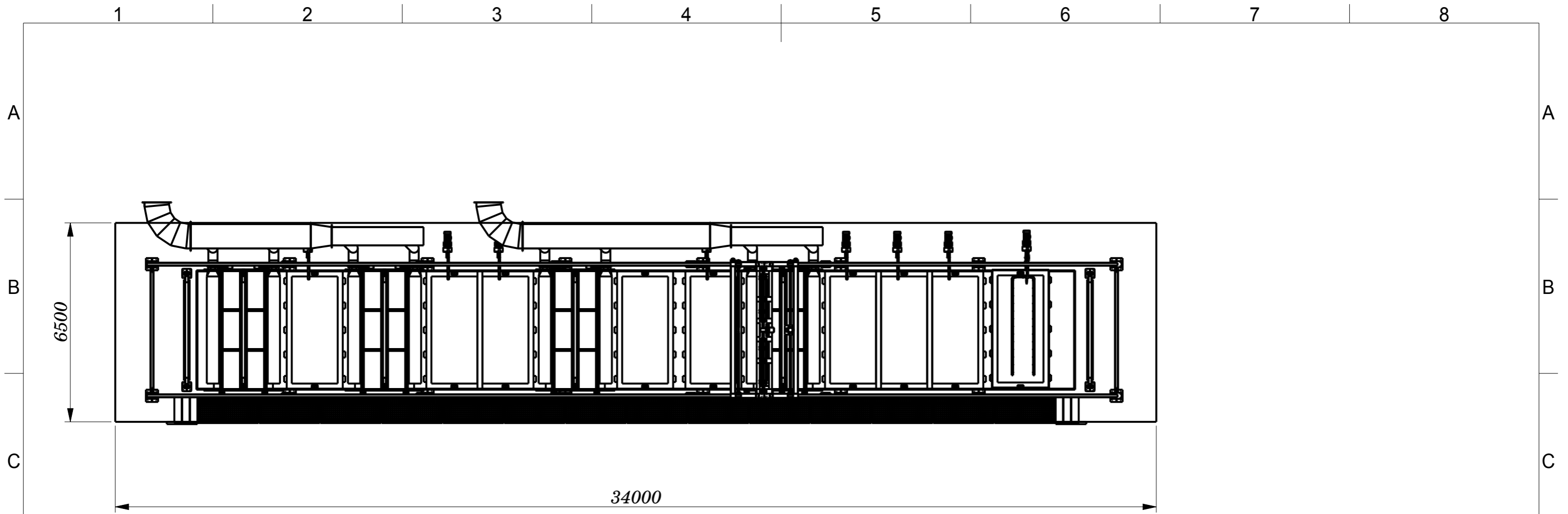


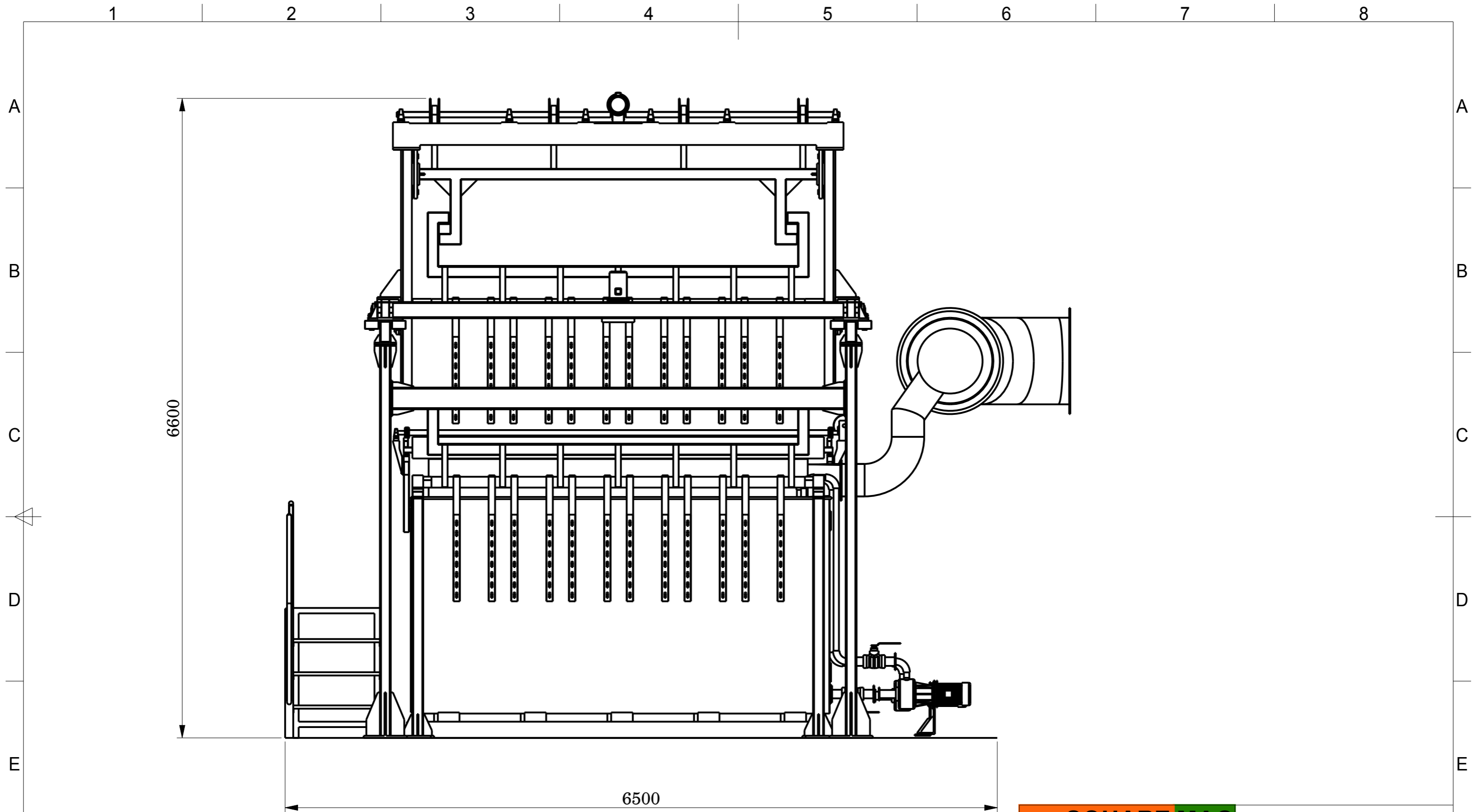
Note : All the dimensions are in mm.

<div style="background-color: #f4a460; padding: 2px;"> SQUARE MAG SYSTEMS. </div>				
DATE	TITLE : Plant of CAA Process			
	TOLERANCE	ANGLE	USED ON	TATA
REVISIONS	EXCEPT AS NOTED		MATERIAL	
	DRAWN	G SINGH	28/04/14	QTY :
	CHKD	DSS		REVISION
	APP	BCS		DRG.No.
	SCALE			SPS-14-3022
SNo	N.T.S	PROJECTION		
				SHEET NO : 01 OF 03

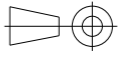


Note : All the dimensions are in mm.

SQUARE MAG SYSTEMS.				
DATE	TITLE : Plant of CAA Process			
	TOLERANCE	ANGLE	USED ON	TATA
REVISIONS	EXCEPT AS NOTED		DEC	
	DRAWN	G SINGH	28/04/14	QTY :
	CHKD	DSS	REVISION	01
	APP	BCS	DRG.No.	
	SCALE	PROJECTION		
SNo	N.T.S	SPS-14-3022		
				SHEET NO : 02 OF 03



Note : All the dimensions are in mm.

SQUARE MAG SYSTEMS.				
DATE	TITLE : Plant of CAA Process			
	TOLERANCE	ANGLE	USED ON	TATA
REVISIONS	EXCEPT AS NOTED		MATERIAL	
	DRAWN	G SINGH	28/04/14	QTY :
	CHKD	DSS	REVISION	01
	APP	BCS	DRG.No.	
	SCALE	PROJECTION	SPS-14-3022	
SNo	N.T.S			SHEET NO : 03 OF 03